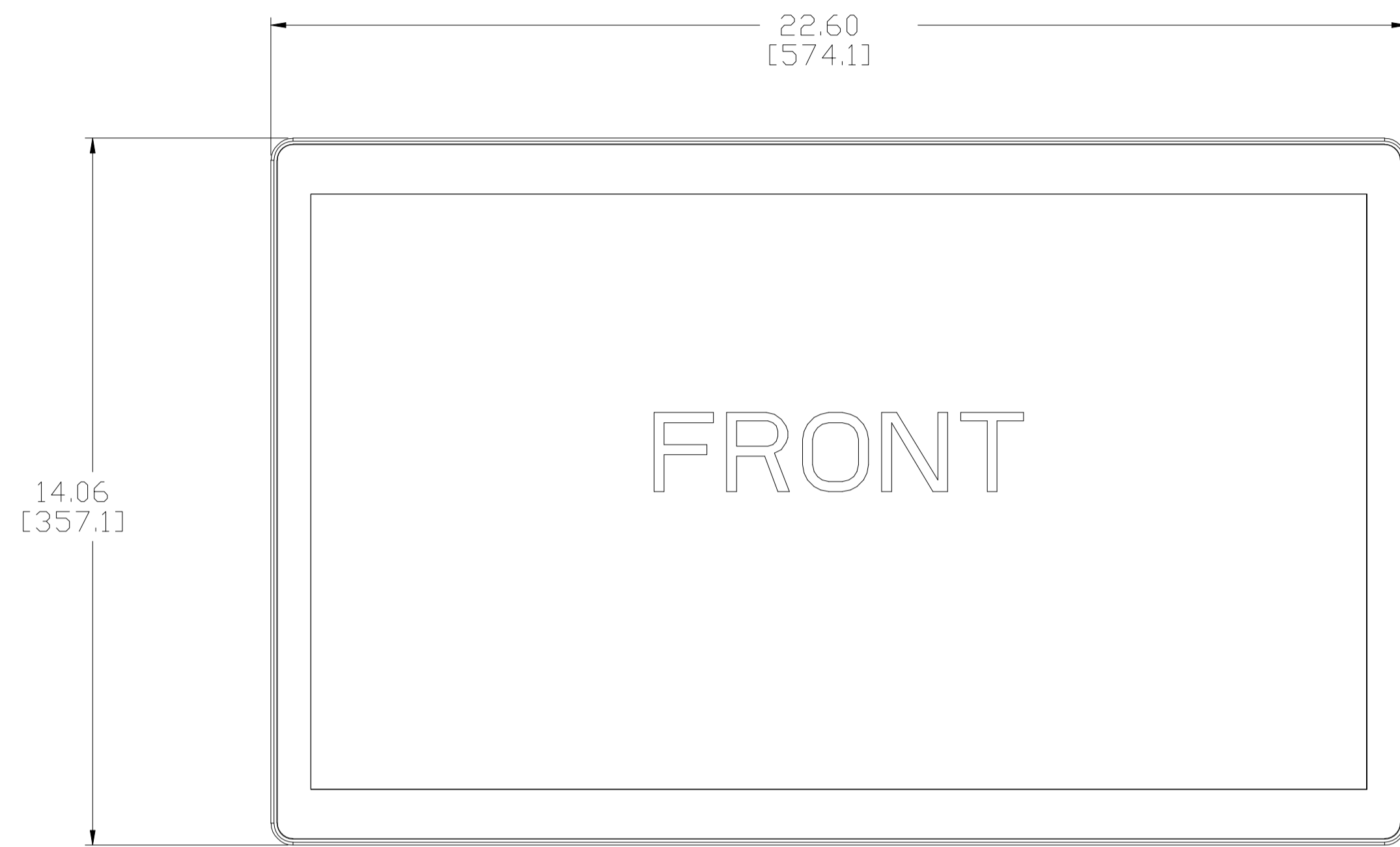
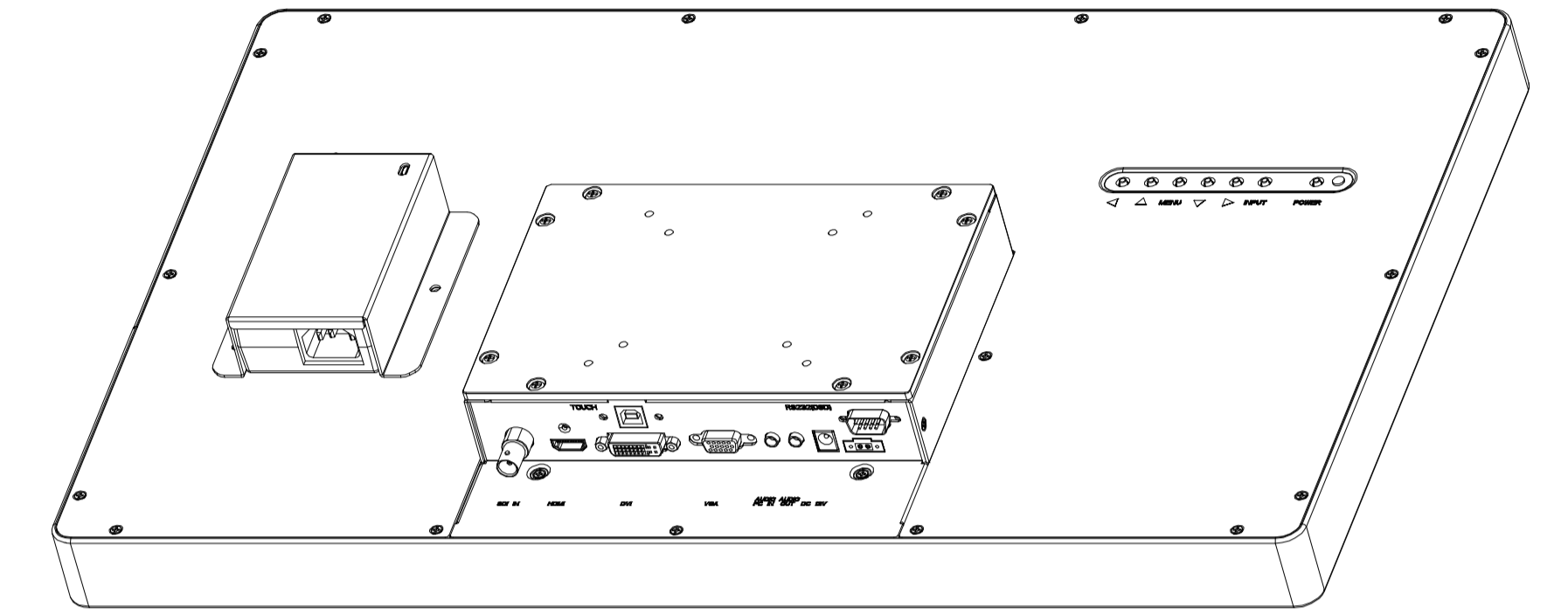
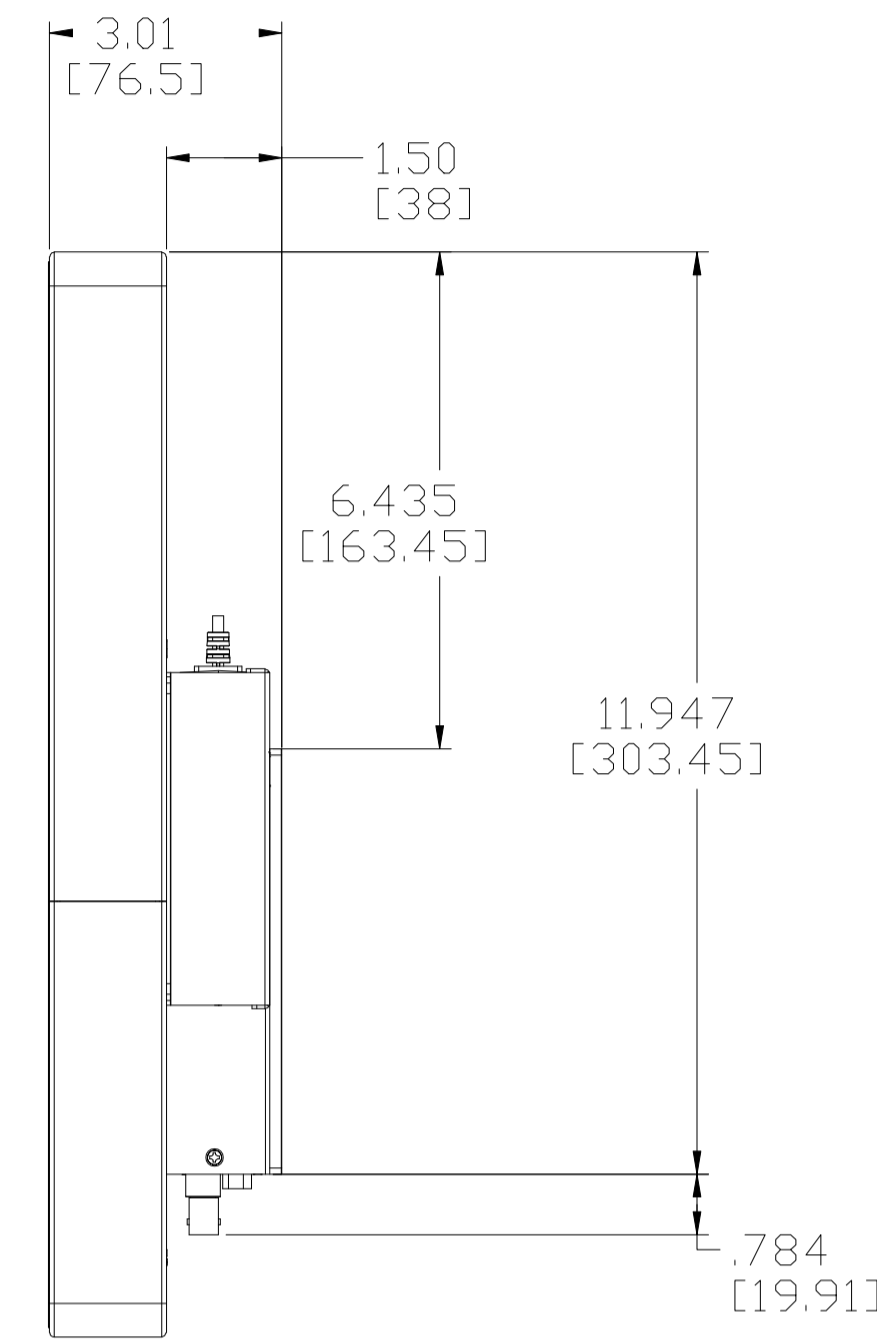
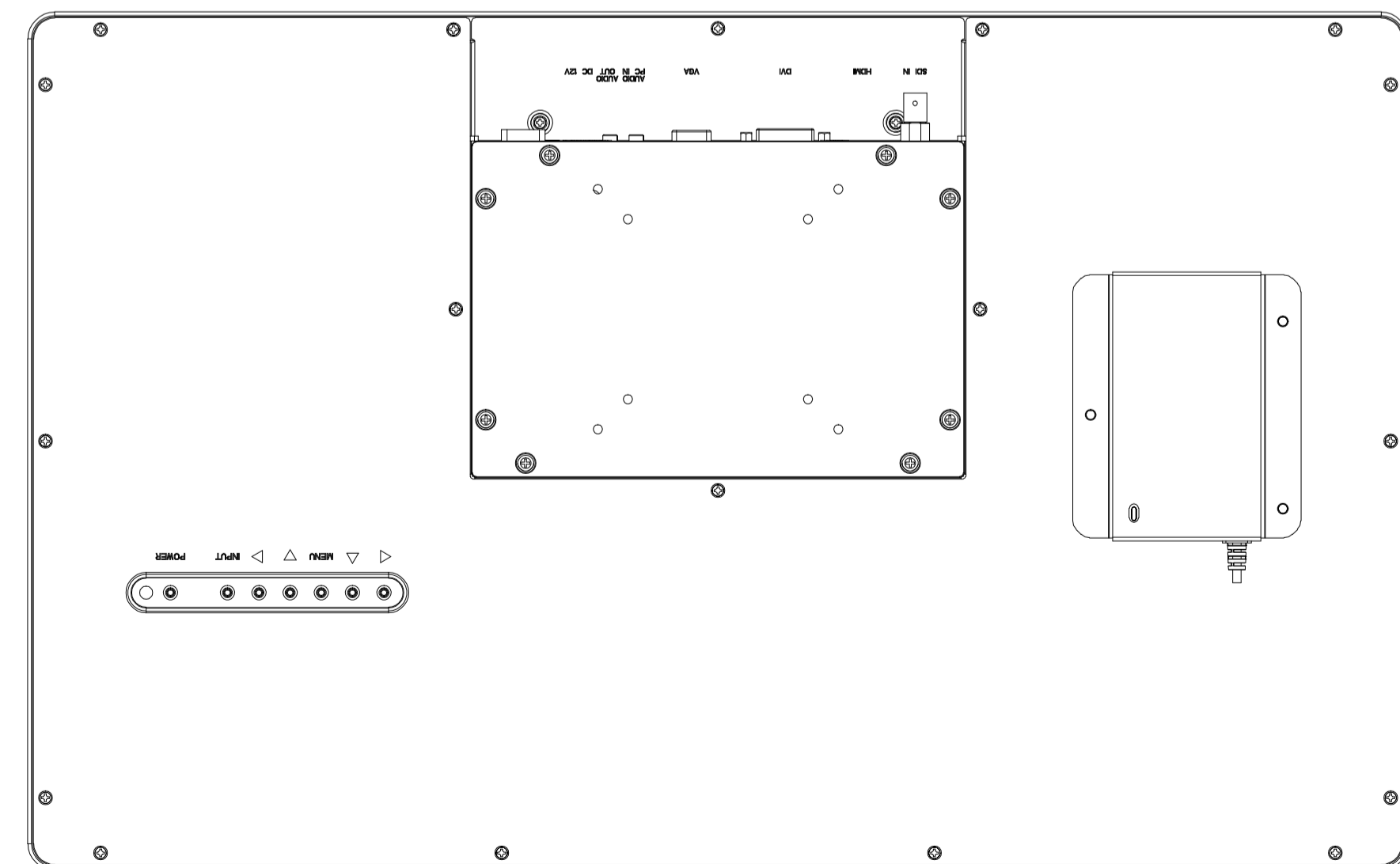
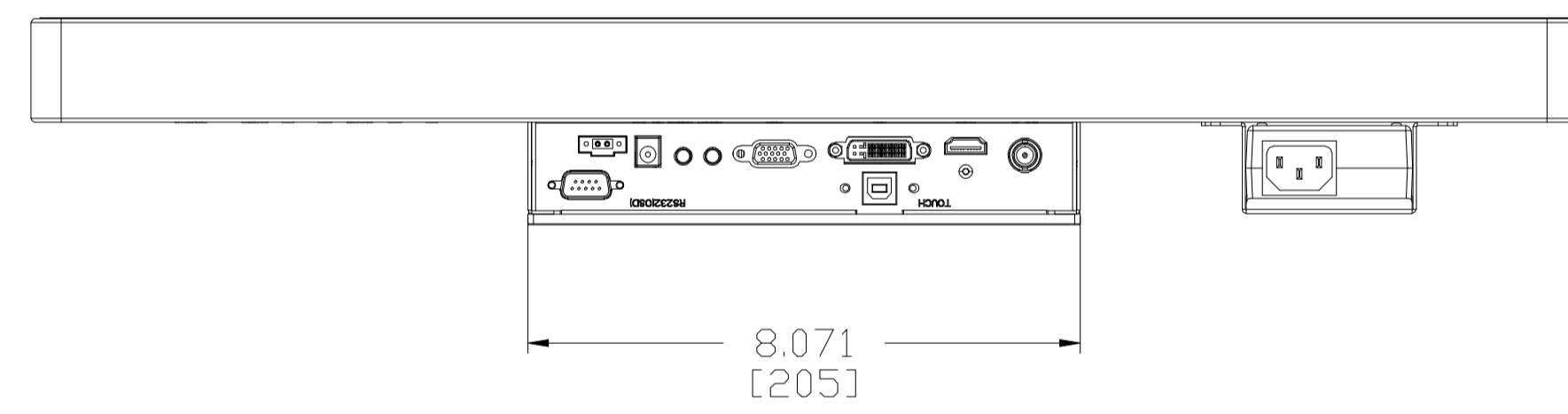


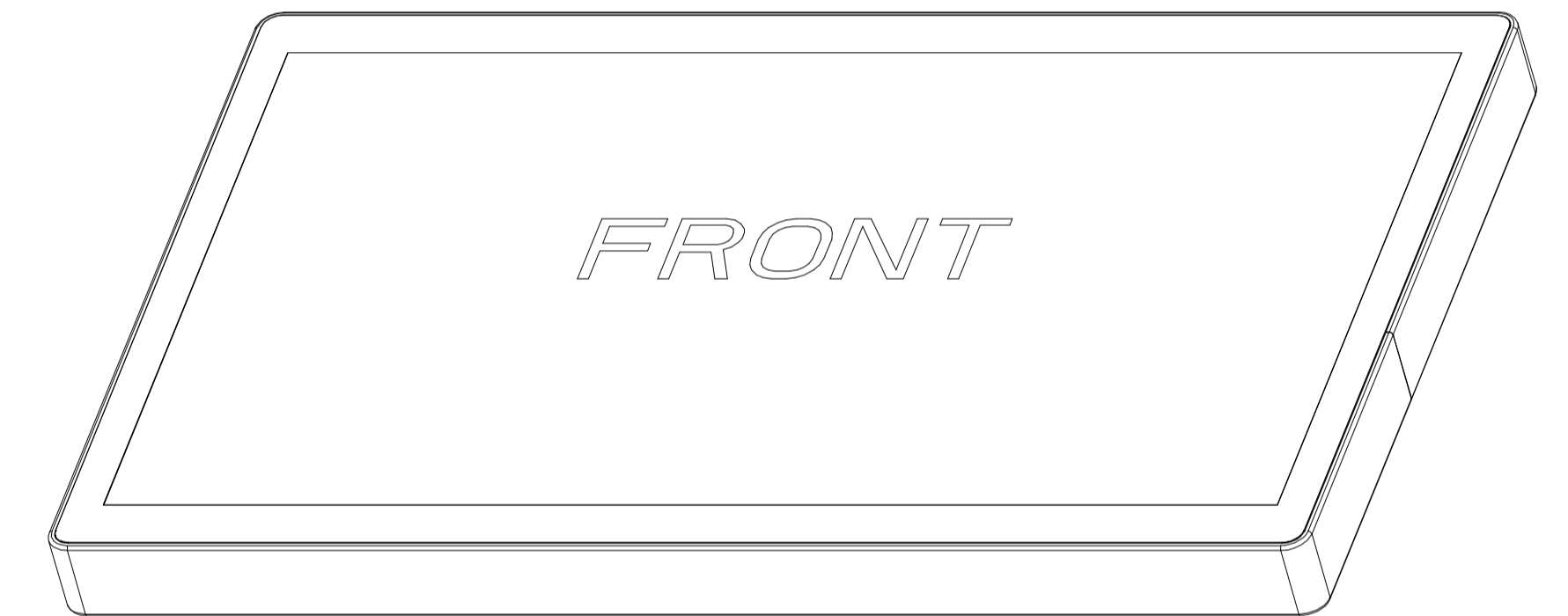
PARTS LIST			
ITEM	QTY	DESCRIPTION	P/N



比例 0.400



比例 0.350



比例 0.350

ALL DIMENSIONS IN MILLIMETRES  
 THIRD ANGLE PROJECTION

ECN				CN		DESIGN		SCALE		INV. NO.		SHEET		OF	
TOLERANCES		A		B		C		ARISTA CORPORATION 41300 Boyce Rd, Fremont, CA 94538							
0-30mm		±0.1		±0.25		±0.6		TITLE							
30-120mm		±0.15		±0.46		±1.1		0_ADM-2124BP-001-SDI							
120-315mm		±0.2		±0.6		±1.6		SIZE							
>315mm		±0.3		±1.1		±2.5		D							
DRN		DATE		FSCM NO.		DWG NO.		REV							
CHECKED		DATE		SCALE		INV. NO.		SHEET							
DESIGN		DATE		SCALE		INV. NO.		OF							

The information disclosed on this document is the exclusive property of ARISTA CORPORATION. Reproduction, disclosure, or the use of this document or information without the written permission of ARISTA CORPORATION is prohibited.